

Fillet Pro

1-877-740-2777

Innovative Research and Supply

www.innovativeresearchsupply.com



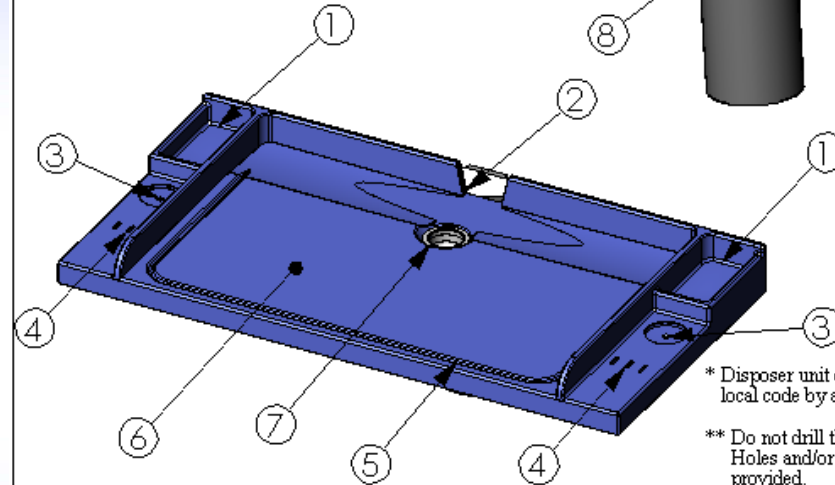
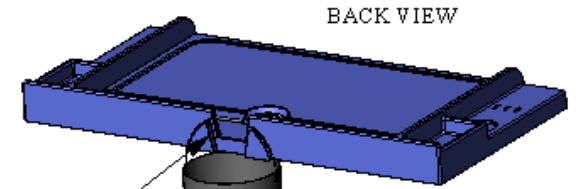
Fillet Pro

1-877-740-2777

Innovative Research and Supply

www.innovativeresearchsupply.com

| FEATURE NUMBER | DESCRIPTION |
|----------------|-----------------------------|
| 1 | 1 Gallon Bag Holder |
| 2 | SauceWay |
| 3 | Beverage Holder |
| 4 | Fillet Knife Holder |
| 5 | Integrated Drainage Channel |
| 6 | Textured Cutting Surface ** |
| 7 | Standard Sink Strainer * |
| 8 | Bucket Holder |



* Disposer unit can be installed to meet local code by a licensed Professional

** Do not drill through any surface. Only use Holes and/or attachment points that are provided.

Features molded into the underside accommodate multiple assembly options

(4) 2 x 4 pockets

(3) Pipe half-rounds

(8) 1/4-20 fasteners



Design features accommodate countless applications.

Very durable, almost impossible to fracture.

Very UV stable, will not fade easily.

Foam filled, it floats, and traps no stagnant fluids.

30" x 60" 23 lbs.

